



Gastrofira
a food experience

RENTAL MACHINES 2017

NESPRESSO COFFEE MACHINE

- Professional Nespresso coffee machine with one arm.
- Includes rental of coffee machine, Nespresso natural coffee refill (100 servings), 1 bottle of 8l. of water, creamers, big and little cups, sugar and spoons.
- Refills: Pack of 50 coffees (water, coffee refills, creamers, cups, sugars & spoons)
- Quantity: 24 seconds/ 1 coffee
- Power 1.1 KW
- Size 30,60 x 36,50 x 20,70 cm (H x D x W)
- Weight 7kg approximately



COFFEE MACHINE GEMINIS

- Professional Nespresso coffee machine with two arms.
- Includes rental of coffee machine, Nespresso natural coffee refill (100 servings), 2 bottles of 8l. of water, creamers, big and little cups, sugar and spoons.
- Refills: Pack of 100 coffees (water, coffee refills, creamers, cups, sugars & spoons)
- Quantity: 24 seconds/ 2 coffee
- Power 230V – 3.3 KW
- Size 56 x 39.2 x 37 cm (L x W x H) Weight 15 kg

INDUSTRIAL COFFEE MACHINE

INCLUDES: a coffee machine and a coffee grinder.

NOT INCLUDED:

- Material to serve the coffee.
- Refills:
 - Saula coffee beans 4kg (400 servings)
 - Decaffeinated Saula coffee individual doses
- Coffee machine:
 - Power: 230V – 3,7KW 7 Magnetothermic 20A
 - Water: 3/8 Water exit with backflow valve + Waste pipe
 - Size 78 x 56 x 48 cm (H x D x W) Weight 53 Kg
- Coffee grinder power 220V, 300W



DOUWE EGBERTS COFFEE MACHINE

- High: 65 cm
- Deep: 47 cm
- Wide: 21 cm
- Electrical & Water Needs
- 3,3 KW + water supply 3/8 or 1/2"
- Refills: Pack of 200 coffees
- Quantity: 24 seconds/ 1 liter of coffee

MARCILLA EXCELLENCE COFFEE MACHINE

- **INCLUDES:** a coffee machine, Coffee Marcilla Mediterraneo 2L (500 servings), Milk Mediterraneo 2L (300 servings), Coffee cups (500 u.) and Stiring sticks and sugar (500 u.)
- **Refills:**
 - Coffee Marcilla Mediterraneo 2L (500 servings)
 - Milk Mediterraneo 2L (300 servings)
 - Coffee cups (500 u.)
 - Stiring sticks and sugar (500 u.)
- **Coffee machine specifications:**
 - Power: 230V o 3,3 KW + 16 Amp
 - Water: 3/8 or 1/2"
 - Size: 690 x 524 x 380 mm (H x D x W) / Door open 920 mm.
 - Weight: 38.5 Kg





WATER DISPENSER

Includes:

- 1 water fountain for all days
- 1 bottle 18.9 L
- 150 glasses
- Power 230V – 1.1 KW, 200 W
- Size 32,5 x 135 x 31,5 cm (L x H x diameter) Weight 15 kg. Approximately



KETTLE

- Power 230V – 3.3 KW
- Size 28 cm height x 15 cm wide (depending on model)
- Includes: 1 water bottle of 8l.



BEER BARREL: ESTRELLA DAMM (30 L)

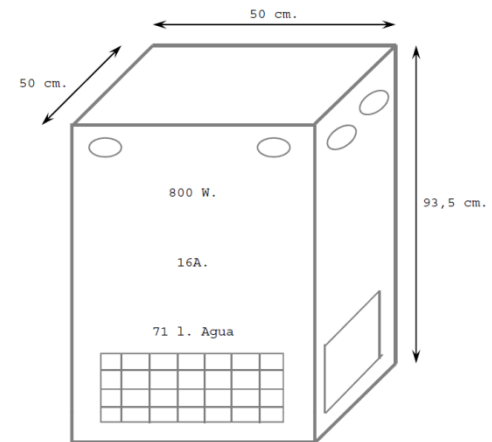
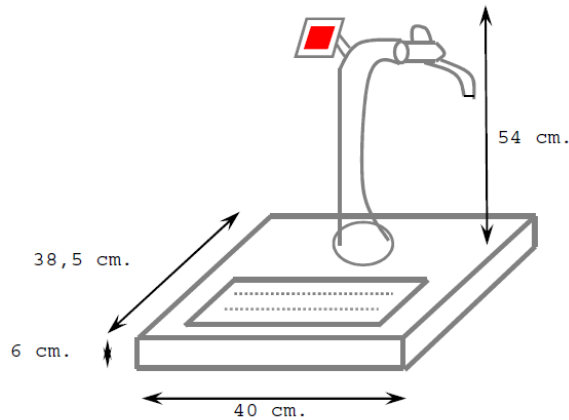
- Installation included
- 1 CO2 cylinder
- 150 plastic glasses

SIZE:

The sizes of the cold machine are: 50cm x 50cm (base) x 93.5cm (height). A barrel of beer is 39.5cm in diameter and 53 cm high. (Cylindrical)

CO2 measures 22cm in diameter x 59 cm high. (Cylindrical)

Power 230V – 1.1 KW





LARGE FRIDGE WITH GLASS DOOR

- Width: 69cm
- Depth: 62cm
- Height: 186cm
- Power: 1,1KW
- Lockable



LITTLE FRIDGE WITH GLASS DOOR

- Width: 50cm
- Depth: 52cm
- Height: 85cm
- Power: 1,1KW



INDUSTRIAL FRIDGE Width: 100cm

- Depth: 55cm
- Height: 85cm
- Power 1,2KW





HOT OVEN

- Equipped with a thermostatic valve, this oven is ideal to attain or maintain the temperature
- Power: 3.3 kW
- Size: 164 cm H x 74cm W x 82cm D
- The oven comes with three racks



MICROWAVE

- Power: 2.2 KW
- Size: 30 x 51 x 34 cm (H x W x D)



INDUCTION BUN

- Power: 3.3 kW
- Size: 6 x 30 x 36 cm (H x W x L)



PROFESSIONAL DISHWASHER

- Power: 9.9 KW with CTAC / 380V
- Size: 90 high x 60 wide cm
- The dishwasher must be above the drain level as it does not have a pump which takes out the water.

